

NOx Converter



Introduction:

NOx gas converter is used for the application that using NO gas analyzer to measure NO₂ or NOx. It can convert NO₂ to NO in the air or from the stack. This is an optional equipment used before NO gas analyzer, which can get NOx (NO+NO₂) value by converting NO₂ to NO.



The 1st pic: 19" 3U Rack type NOx converter

The 2nd pic: Wall mounted type NOx converter

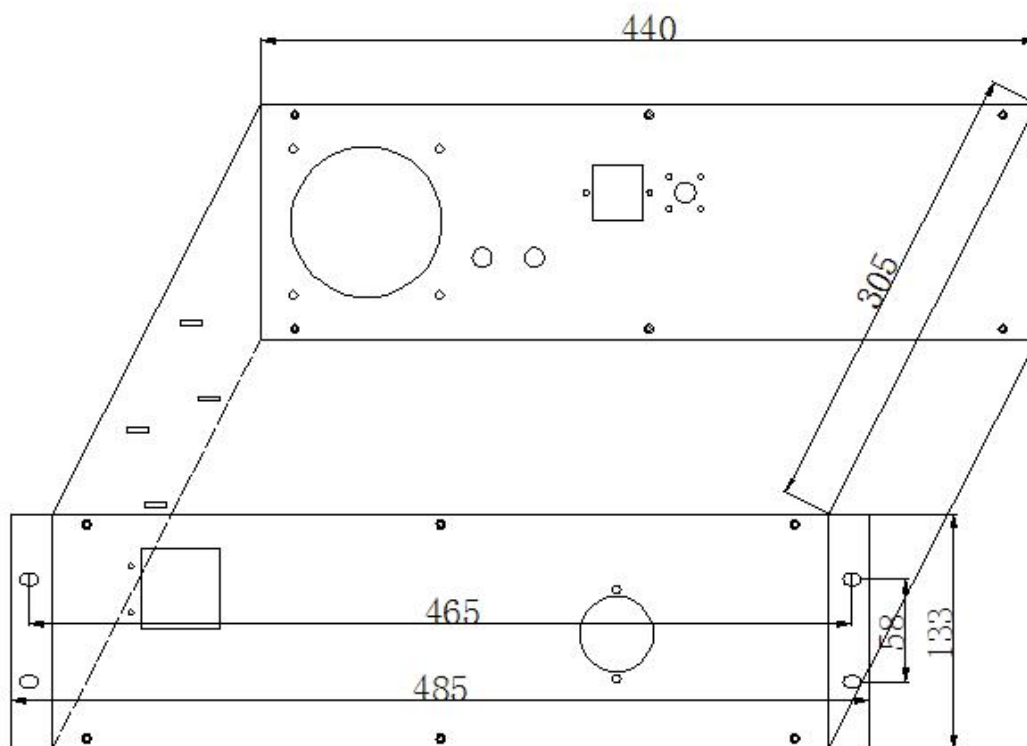
Features

- High conversion rate under low temperature.
- Up to 300ppm NO₂ switching capacity
- A long lifespan
- The patented conversion tube structure
- Micro processing controller intelligent temperature control
- The temperature can be adjusted freely
- With the temperature alarm
- With the LED display
- 19" rack enclosure and wall-mounted type optional
- Easy for replacement of special switching tube design

Specifications

- Working temperature: 365°C
- Prewarming time: 30 minutes
- Sample gas pressure: 1.5bar
- Sample gas flow rate: 120L/h
- Sample gas temperature: 5-80°C
- Dew point: <10 C
- Environment temperature: 5-50°C
- Storage and transportation temperature: -20 - 70°C
- Relative humidity: <80%RH
- Power supply: 220VAC, 50/60Hz
- Power consumption: about 400W
- Eack installation: 19", 3U or wall-mounted (different type)
- Weight: about 5.5Kg
- The protection grade: IP20
- The conversion efficiency >95% (new conversion tube)
- The conversion tube service life: more than 12 months, depending on the concentration of NO₂
- The maximum capacity: 300ppm (flow 60L/h)

Outer Size of rack type NOx converter



Contact us:

Manufacturer: HUNAN SENSANG INSTRUMENT CO., LTD.

Address: NO.604, BUILDING 6, INTERNATIONAL ENTERPRISE CENTER, NO.188, HUANBAO MIDDLE ROAD, YUHUA DISTRICT, CHANGSHA CITY, 410007, HUNAN PROVINCE, CHINA.

Telephone: 0086-731-82244670

Mobile phone: 0086-138 7102 2002

Website: www.ss-analyzer.com

Email: sales@senshangyiqi.com